

## Ball valve 120 - 126

- Male thread  $\frac{3}{8}$ " - 2" or
- Male x female thread  $\frac{1}{4}$ " - 2"
- Full flow valve
- Double stem gaskets



### Description

Ball valve.

### Construction

Ball valve in nickel-plated brass with full flow (bore), gaskets in PTFE and FPM.

Model 120

Connection female x male thread  $\frac{1}{4}$ " - 2", steel handle.

Model 121

Connection female x male thread  $\frac{1}{4}$ " - 2", T-handle.

Model 125

Connection male thread  $\frac{3}{8}$ " - 2", steel handle.

Model 126

Connection male thread  $\frac{3}{8}$ " - 1", T-handle.

### Marking

DN, PN and flow direction. Company logotype and manufacturing identification.

### Maintenance

The ball valve must be operated periodically, two to three times a year.

### Technical data

Body	Nickel-plated brass CW617N
Ball seal	PTFE
Stem gaskets	PTFE and FPM

Maximum working pressure: 40 bar

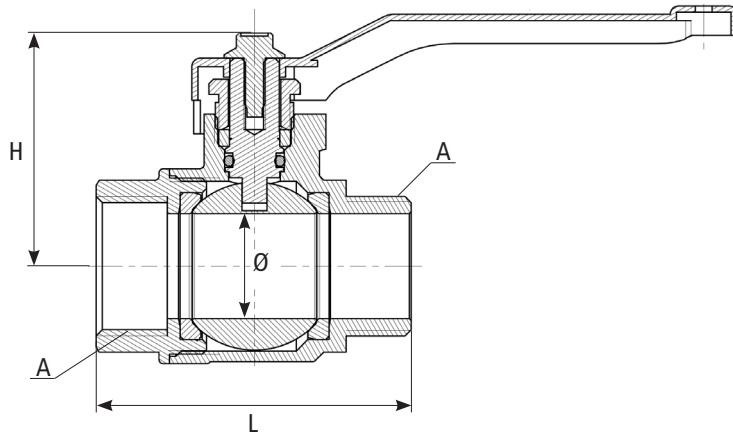
Maximum working temperature: +100°C

Minimum working temperature: -10°C

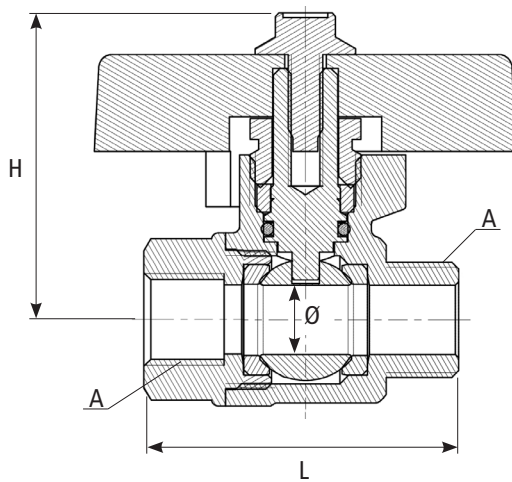
*Subject to technical changes and corrections without notice*

## Ball valve 120 - 126

120



121



Item number	Description	Connection thread A	Length L	Centrum height H	Bore Ø	Weight (kg per piece)
0412008000	Ball valve 120-8, 1/4"F x 1/4"M, handle	1/4"F x 1/4"M	49	50	10	0,21
0412010000	Ball valve 120-10, 3/8"F x 3/8"M, handle	3/8"F x 3/8"M	52	50	15	0,19
0412015000	Ball valve 120-15, 1/2"F x 1/2"M, handle	1/2"F x 1/2"M	62,5	53	20	0,25
0412020000	Ball valve 120-20, 3/4"F x 3/4"M, handle	3/4"F x 3/4"M	73,5	56	25	0,37
0412025000	Ball valve 120-25, 1"F x 1"M, handle	1"F x 1"M	83,5	62	32	0,55
0412032000	Ball valve 120-32, 1 1/4"F x 1 1/4"M, handle	1 1/4"F x 1 1/4"M	99	81	39	1,02
0412040000	Ball valve 120-40, 1 1/2"F x 1 1/2"M, handle	1 1/2"F x 1 1/2"M	107,5	86	39	1,41
0412050000	Ball valve 120-50, 2"F x 2"M, handle	2"F x 2"M	119	92,5	48	2,09

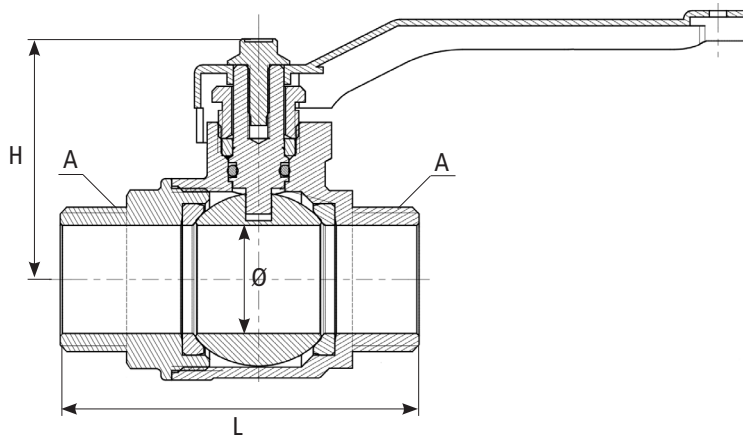
Item number	Description	Connection thread A	Length L	Centrum height H	Bore Ø	Weight (kg per piece)
0412108000	Ball valve 121-8, 1/4"F x 1/4"M, T-handle	1/4"F x 1/4"M	49	47,5	10	0,20
0412110000	Ball valve 121-10, 3/8"F x 3/8"M, T-handle	3/8"F x 3/8"M	52	47,5	10	0,20
0412115000	Ball valve 121-15, 1/2"F x 1/2"M, T-handle	1/2"F x 1/2"M	62,5	50	15	0,23
0412120000	Ball valve 121-20, 3/4"F x 3/4"M, T-handle	3/4"F x 3/4"M	73,5	54	20	0,36
0412125000	Ball valve 121-25, 1"F x 1"M, T-handle	1"F x 1"M	83,5	63	25	0,52

All dimensions in millimetres

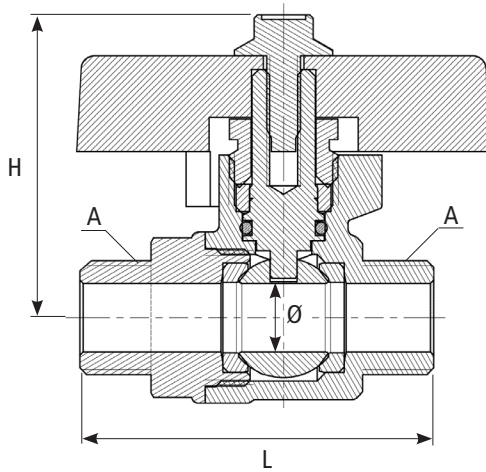
Subject to technical changes and corrections without notice

## Ball valve 120 - 126

125



126



Item number	Description	Connection thread A	Length L	Centrum height H	Bore Ø	Weight (kg per piece)
0412510000	Ball valve 125-10, 3/8"M, handle	3/8"M	52	50	10	0,19
0412515000	Ball valve 125-15, 1/2"M, handle	1/2"M	66	53	15	0,24
0412520000	Ball valve 125-20, 3/4"M, handle	3/4"M	73	56	20	0,37
0412525000	Ball valve 125-25, 1"M, handle	1"M	83	62	25	0,54
0412532000	Ball valve 125-32, 1 1/4"M, handle	1 1/4"M	98	81	32	1,00
0412540000	Ball valve 125-40, 1 1/2"M, handle	1 1/2"M	107	86	39	1,39
0412550000	Ball valve 125-50, 2"M, handle	2"M	112	92,5	48	2,11

Item number	Description	Connection thread A	Length L	Centrum height H	Bore Ø	Weight (kg per piece)
0412610000	Ball valve 126-10, 3/8"M, T-handle	3/8"M	52	47,5	10	0,16
0412615000	Ball valve 126-15, 1/2"M, T-handle	1/2"M	61,5	50	15	0,24
0412620000	Ball valve 126-20, 3/4"M, T-handle	3/4"M	73,5	54	20	0,36
0412625000	Ball valve 126-25, 1"M, T-handle	1"M	83,5	63	25	0,60

All dimensions in millimetres

Subject to technical changes and corrections without notice